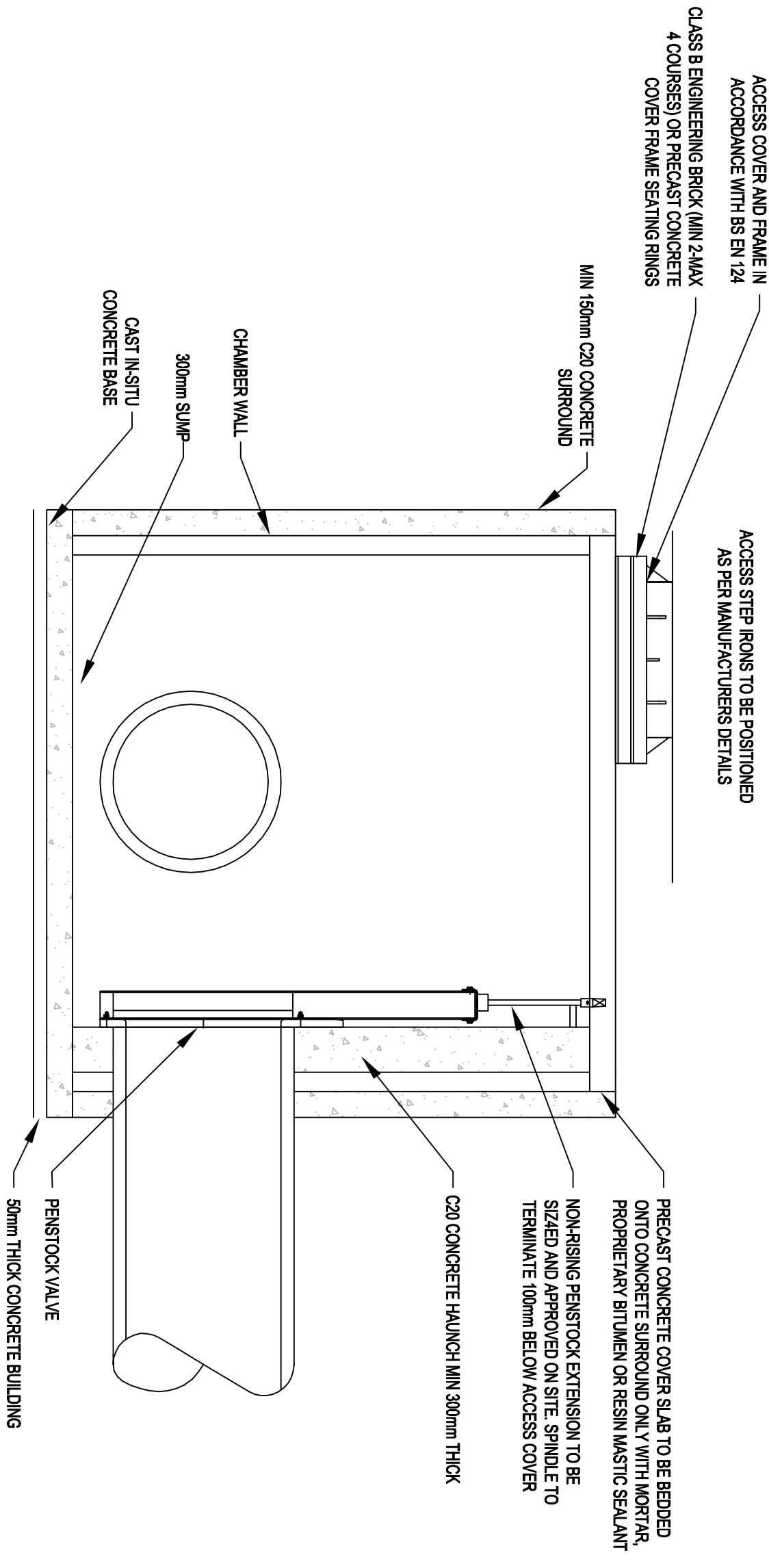
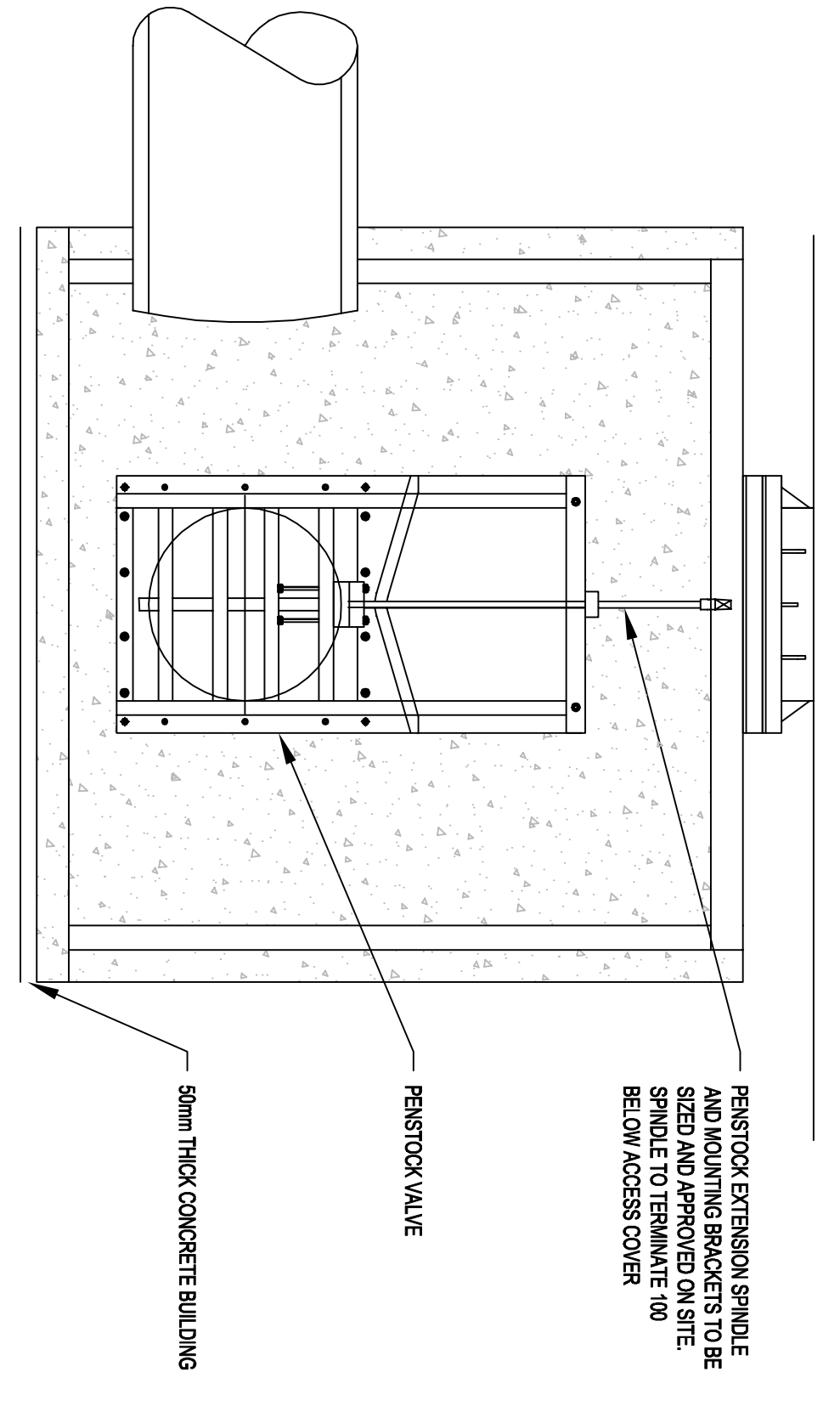


PENSTOCK CHAMBER PLAN
SCALE 1:20



A-A PENSTOCK CHAMBER SECTION
SCALE 1:20






B-B PENSTOCK CHAMBER SECTION
SCALE 1:20

PENSTOCK SCHEDULE		
NETWORK	REFERENCE	DIA (mm)
1	010.OP SV.2700	OUTGOING PIPE
2	020.OP SV.2360	OUTGOING PIPE
3	030.OP SV.4103	OUTGOING PIPE
4	040.OP SV.5260	OUTGOING PIPE
5	050.OP W.5570	OUTGOING PIPE
6	060.OP W.5870	OUTGOING PIPE
7	070.OP W.6308	OUTGOING PIPE
8	080.OP H.S.V.1133	OUTGOING PIPE

DO NOT SCALE

NOTES:
 1. ALL DIMENSIONS ARE IN MILLIMETRES UNLESS OTHERWISE STATED
 2. DESIGN BASED ON ALTHON HOPE PENSTOCK

REF: CLASS D400 TRAFFICED AREAS
 REF: CLASS C20 FOOTWAYS ONLY
 LARGE GRATINGS MAY ONLY BE USED WITH THE APPROVAL OF THE SERVICE MANAGER. DISHED GRATINGS PERMISSIBLE IN FOOTWAYS ONLY

REV	DATE	BY	DESCRIPTION	CHK	APP
001	31/07/2023	MA	FOR CONSTRUCTION	BB	MM
DRAWING STATUS: S3 - FOR REVIEW					
					
CLIENT: North Yorkshire County Council 					
DESIGNER: AS9 KEX GILL DIVERSION 					
TITLE: STANDARD DETAILS - PENSTOCK CHAMBER					
SCALE @ A1: 1:20 CHECKED: BB APPROVED: MM PRODUCT NO: 70049554 DESIGNED: BB DRAWN: MA DATE: 31/07/2023 DRAWING NO: NYKGDD-WSP-HDG-SG-DR-CD-0500_037 REF: C01					
© WSP UK Ltd					