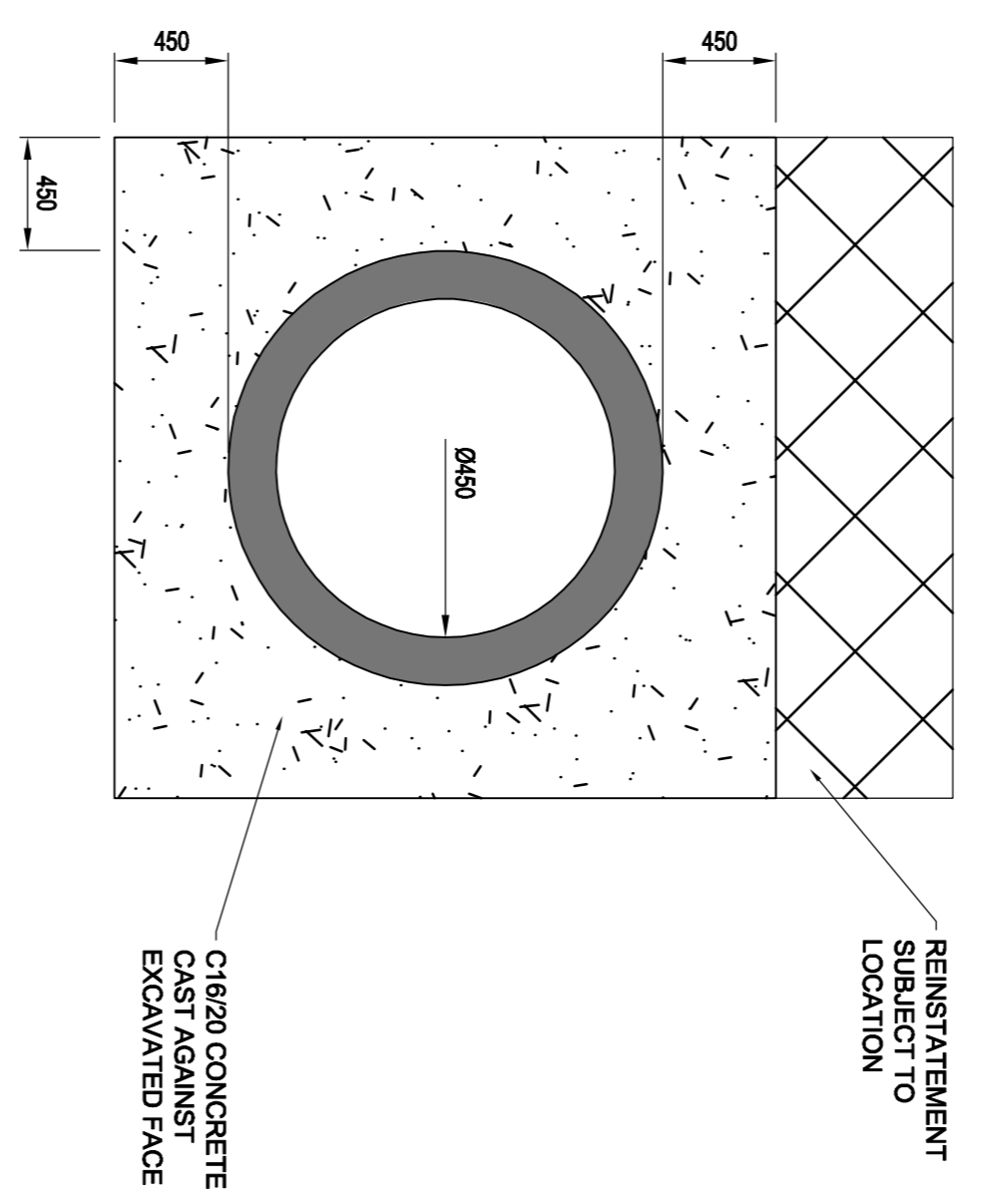


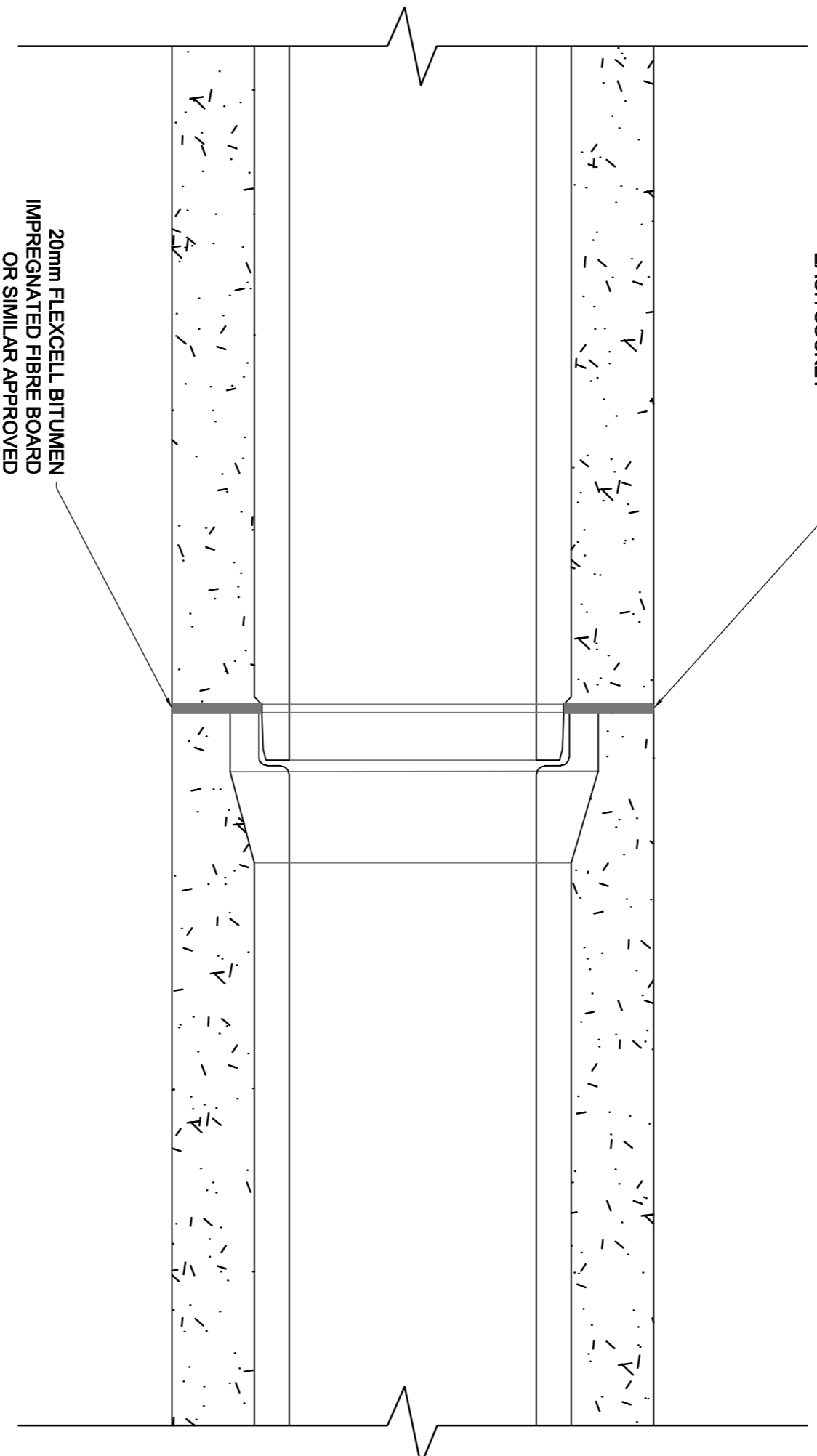
**TYPICAL CULVERT LONG SECTION DETAIL**

SCALE 1:25 @ A1  
SCALE 1:50 @ A3



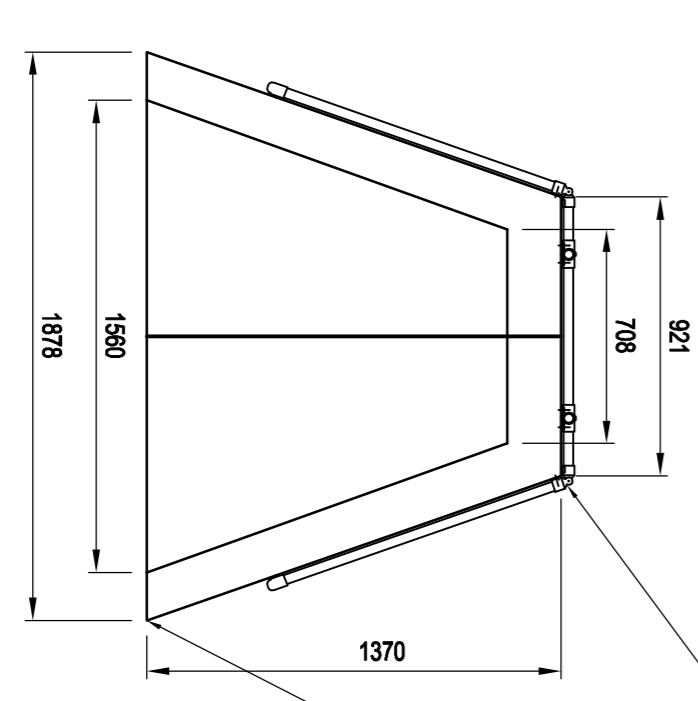
**TYPE Z DETAIL**

SCALE 1:10 @ A1  
SCALE 1:20 @ A3



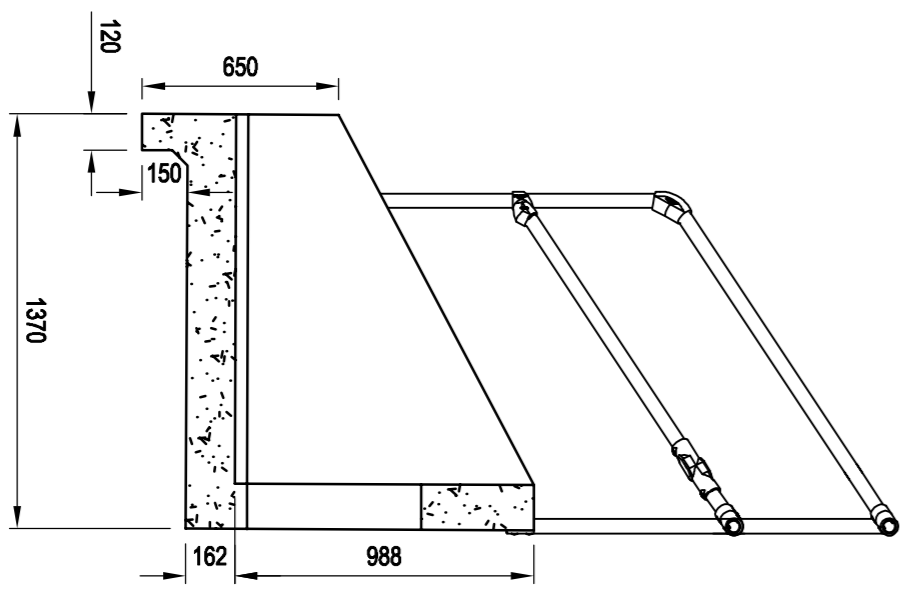
**MOVEMENT JOINT DETAIL**

SCALE 1:10 @ A1  
SCALE 1:20 @ A3



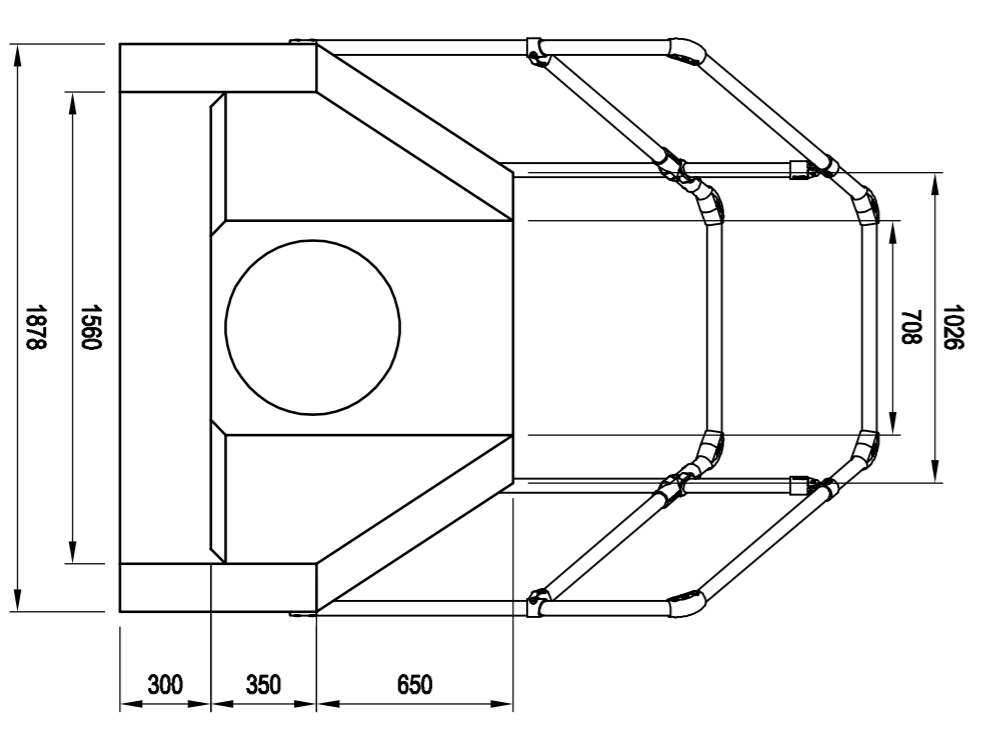
**HEADWALL TYPE A PLAN VIEW**

SCALE 1:25 @ A1  
SCALE 1:50 @ A3



**HEADWALL TYPE A SECTION VIEW**

SCALE 1:25 @ A1  
SCALE 1:50 @ A3



**HEADWALL TYPE A ELEVATION VIEW**

SCALE 1:25 @ A1  
SCALE 1:50 @ A3

**DO NOT SCALE**

**NOTES:**

1. ALL DIMENSIONS ARE IN MILLIMETRES (MM) AND ALL LEVELS ARE IN METRES ABOVE ORDNANCE DATUM (MAOD) UNLESS STATED OTHERWISE.
2. DIMENSIONS AND LEVELS SHALL BE VERIFIED BY THE CONTRACTOR PRIOR TO COMMENCEMENT OF THE WORKS.
3. THIS DRAWING SHOULD BE READ IN CONJUNCTION WITH THE FOLLOWING:  
NYKGD-WSP-HDG-SG-SH-CD-00001
4. INSITU CONCRETE ABOVE BEDDING LEVEL SHALL BE REINFORCED WITH MONOFILAMENT POLYPROPYLENE FIBRES (FIBREMESH EQUIVALENT) AT A RATE OF 0.9KG/M<sup>3</sup>. THE FIBRES SHALL COMPLY WITH THE RELEVANT BRITISH BOARD OF AGREEMENT CERTIFICATE.

**SAFETY, HEALTH AND ENVIRONMENTAL INFORMATION**

NOTES BELOW ARE ADDITIONAL TO HAZARD/RISKS NORMALLY ASSOCIATED WITH THIS TYPE OF WORK CONSTRUCTION

RISK ID NO SIGNIFICANT RISKS IDENTIFIED

OPERATIONS & MAINTENANCE

RISK ID NO SIGNIFICANT RISKS IDENTIFIED

DISMANTLING / DEMOLITION (FUTURE)

RISK ID NO SIGNIFICANT RISKS IDENTIFIED

REFER TO THE GENERAL NOTES, THE SCHEDULE OF SIGNIFICANT RESIDUAL RISKS (1447) AND THE PRINCIPAL CONTRACTOR FOR MORE INFORMATION.

NO	DATE	BY	DESCRIPTION	CHK	APP
001	13/07/2023	JV	ISS CONSTRUCTION SIZE	WM	WM
002					
003					
004					
005					
006					
007					
008					
009					
010					
011					
012					
013					
014					
015					
016					
017					
018					
019					
020					
021					
022					
023					
024					
025					
026					
027					
028					
029					
030					
031					
032					
033					
034					
035					
036					
037					
038					
039					
040					
041					
042					
043					
044					
045					
046					
047					
048					
049					
050					
051					
052					
053					
054					
055					
056					
057					
058					
059					
060					
061					
062					
063					
064					
065					
066					
067					
068					
069					
070					
071					
072					
073					
074					
075					
076					
077					
078					
079					
080					
081					
082					
083					
084					
085					
086					
087					
088					
089					
090					
091					
092					
093					
094					
095					
096					
097					
098					
099					
100					

**S3 - FOR REVIEW**

Three White Rose Office Park, Millshaw Park Lane,  
Leeds, LS11 1DU, UK  
T +44 (0) 113 359 6200, F +44 (0) 113 365 6201  
wsp.com

**NORTH YORKSHIRE COUNTY COUNCIL**

**A59 KEX GILL DIVERSION**

**TYPICAL INTERCEPTOR CHANNEL CULVERT DETAILS**

SCALE @	DESIGNED	CHKD	APPROVED
A3 SHOWN	MW	JV	MW

PROJECT NO.	ISSUES	ISSUES	DATE
70049554	JV	JV	Jul 23

DRAWING NO.	REV.
NYKGD-WSP-HDG-SG-DR-CD-0500_0023	C01