

DO NOT SCALE

NOTES:

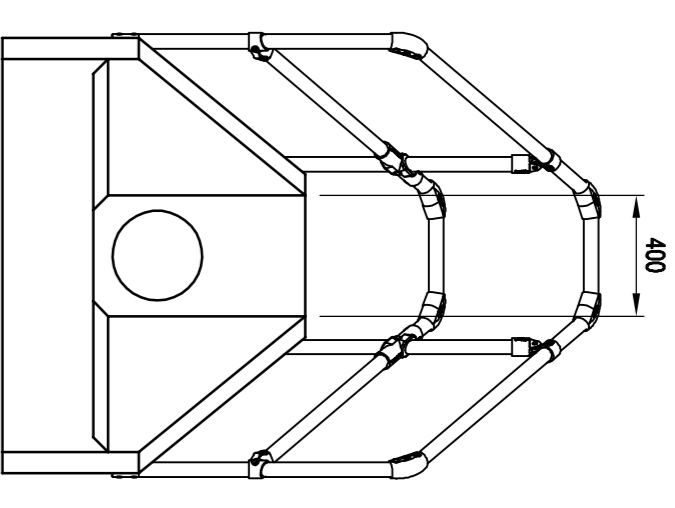
1. ALL DIMENSIONS ARE IN MILLIMETRES (MM) AND ALL LEVELS ARE IN METRES ABOVE ORDNANCE DATUM (MAOD) UNLESS STATED OTHERWISE.
2. DIMENSIONS AND LEVELS SHALL BE VERIFIED BY THE CONTRACTOR PRIOR TO COMMENCEMENT OF THE WORKS.
3. THIS DRAWING SHOULD BE READ IN CONJUNCTION WITH THE FOLLOWING:
NYKGD-WSP-HDG-SG-SH-CD-00001

SAFETY, HEALTH AND ENVIRONMENTAL INFORMATION

NOTES BELOW ARE ADDITIONAL TO HAZARDOUS RISKS NORMALLY ASSOCIATED WITH THIS TYPE OF WORK.

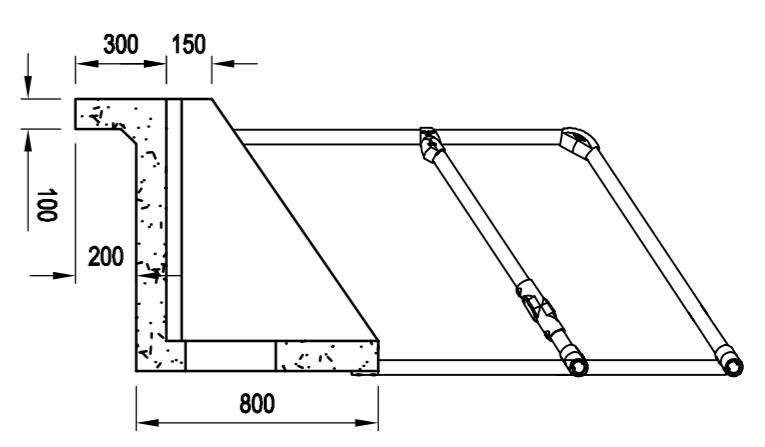
RISK ID	CONSTRUCTION
RISK ID	NO SIGNIFICANT RISKS IDENTIFIED
RISK ID	OPERATIONS & MAINTENANCE
RISK ID	NO SIGNIFICANT RISKS IDENTIFIED
RISK ID	DISMANTLING / DEMOLITION (FUTURE)
RISK ID	NO SIGNIFICANT RISKS IDENTIFIED

REFER TO THE GENERAL NOTES, THE SCHEDULE OF SIGNIFICANT RESIDUAL RISKS (F427) AND THE PRINCIPAL CONTRACTOR FOR MORE INFORMATION.



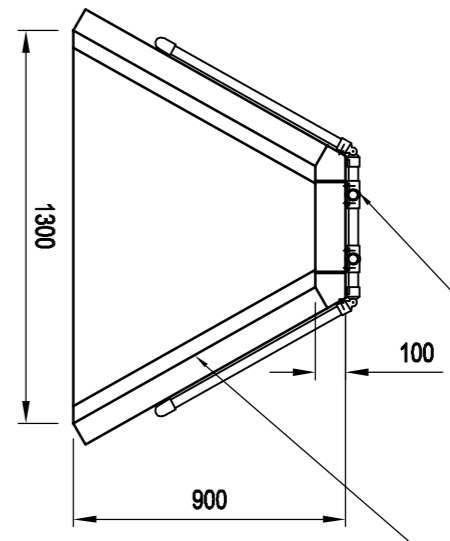
HEADWALL TYPE B ELEVATION VIEW

SCALE 1:25 @ A1
SCALE 1:50 @ A3



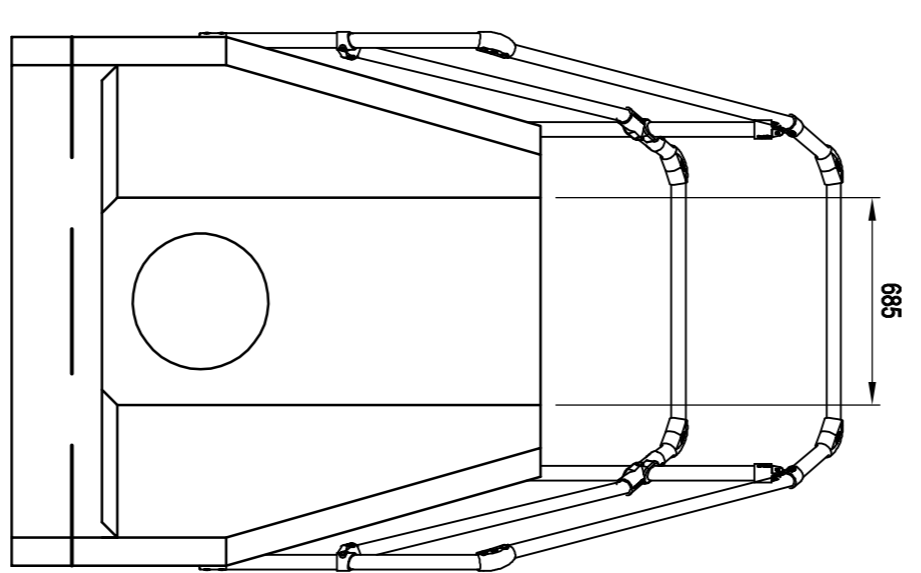
HEADWALL TYPE B SECTION VIEW

SCALE 1:25 @ A1
SCALE 1:50 @ A3



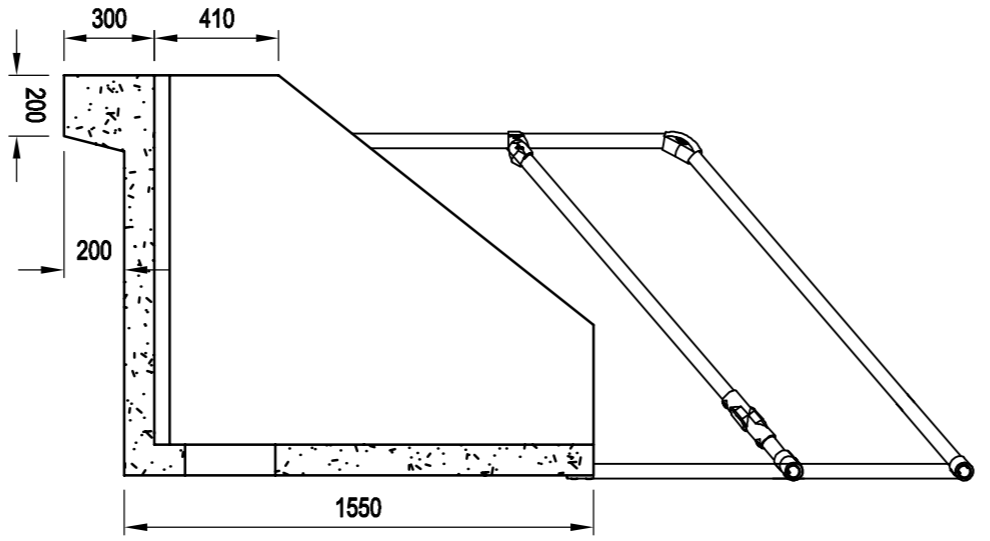
HEADWALL TYPE B PLAN VIEW

SCALE 1:25 @ A1
SCALE 1:50 @ A3



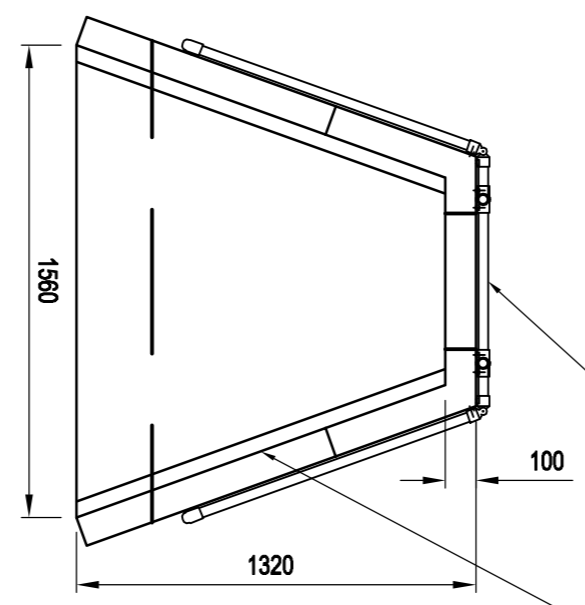
HEADWALL TYPE C ELEVATION VIEW

SCALE 1:25 @ A1
SCALE 1:50 @ A3



HEADWALL TYPE C SECTION VIEW

SCALE 1:25 @ A1
SCALE 1:50 @ A3



HEADWALL TYPE C PLAN VIEW

SCALE 1:25 @ A1
SCALE 1:50 @ A3

KEEKLAMP GUARD RAILS MINIMUM HEIGHT 1.2m TO BE FIXED AROUND PERIMETER OF STRUCTURE. MIN NOMINAL BAR DIAMETER TO BE 40mm AND COMPLYING WITH BS EN ISO 10255 AND HOT DIP GALVANISED TO BE EN ISO 1461

PRECAST CONCRETE HEADWALL UNIT. REFER TO SCHEDULE NYKGD-WSP-HDG-SG-SH-CD-00001 FOR INLET/OUTLET LOCATIONS

KEEKLAMP GUARD RAILS MINIMUM HEIGHT 1.2m TO BE FIXED AROUND PERIMETER OF STRUCTURE. MIN NOMINAL BAR DIAMETER TO BE 40mm AND COMPLYING WITH BS EN ISO 10255 AND HOT DIP GALVANISED TO BE EN ISO 1461

PRECAST CONCRETE HEADWALL UNIT. REFER TO SCHEDULE NYKGD-WSP-HDG-SG-SH-CD-00001 FOR INLET/OUTLET LOCATIONS

NO	DATE	BY	DESCRIPTION	CHK	APP
001	13/07/2023	JV	FOR CONSTRUCTION SIZE	MM	MM
REV	DATE	BY	DESCRIPTION	CHK	APP

DRAWING STATUS
S3 - FOR REVIEW

CLIENT:
NORTH YORKSHIRE COUNTY COUNCIL

PROJECT:
A59 KEX GILL DIVERSION

TITLE:
PIPE HEADWALL DETAILS

SCALE @:	DESIGNED	CHKD	APPROVED
AS SHOWN	MM	MM	MM

PROJECT NO: 70049554
DRAWING NO: NYKGD-WSP-HDG-SG-DR-CD-0500_0024
DATE: July 23
REV: C01

Three White Rose Office Park, Millshaw Park Lane,
Leeds, LS11 0DL, UK
T +44 (0) 113 595 6200, F +44 (0) 113 395 6201
wsp.com

© WSP UK Ltd