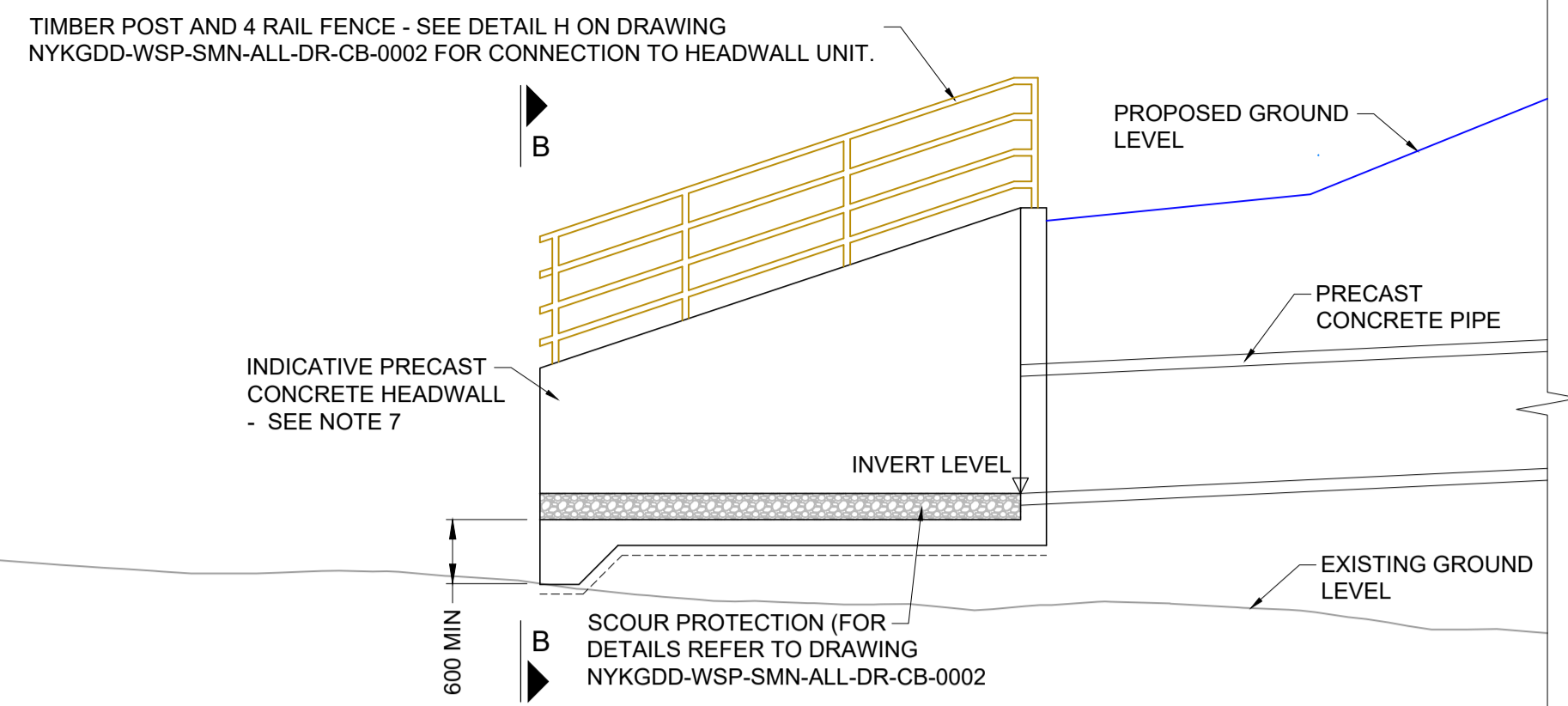
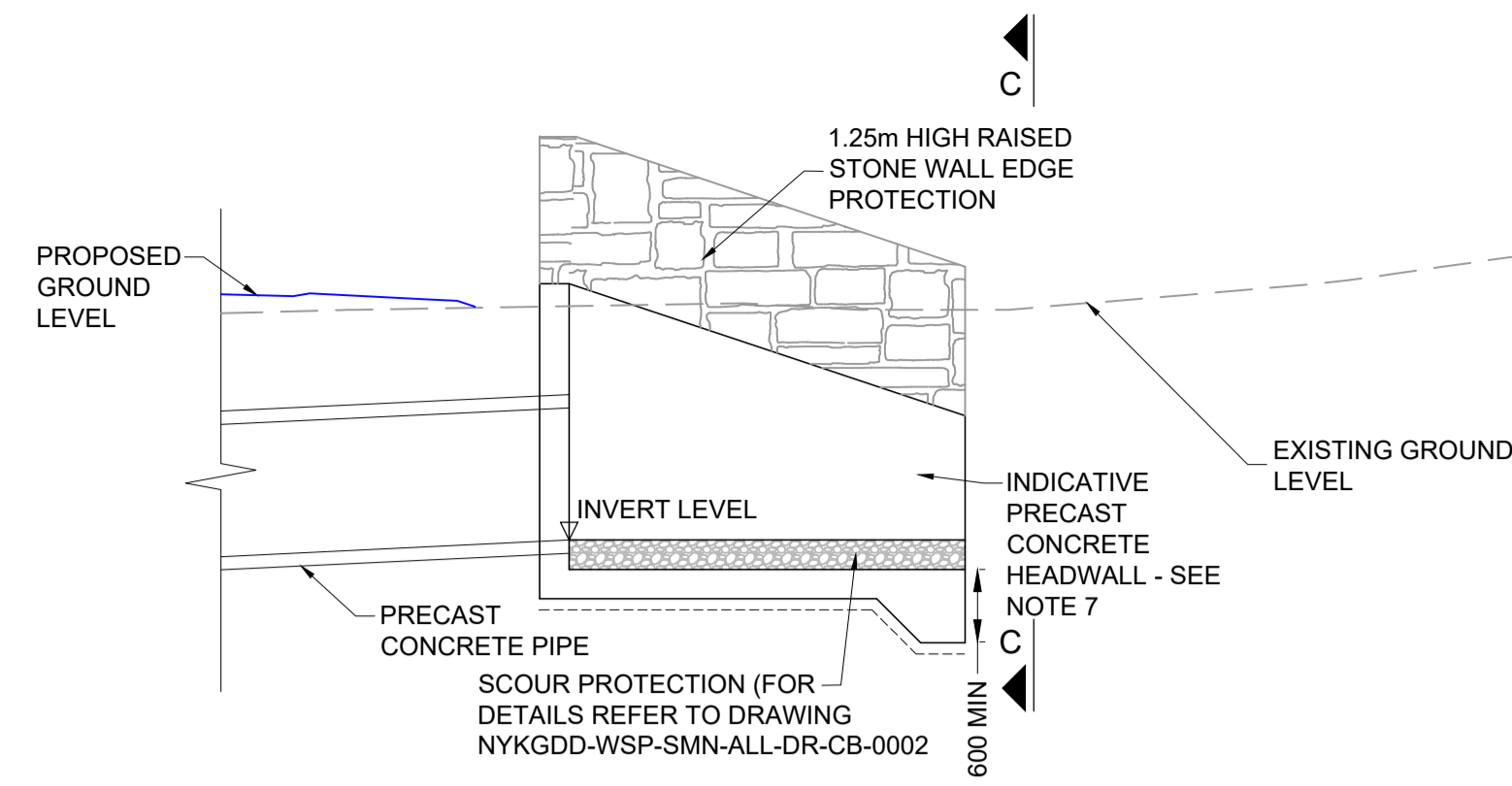


- NOTES**
GENERAL
- ALL DIMENSIONS ARE IN MM UNLESS NOTED OTHERWISE.
 - ALL LEVELS ARE IN METRES AOD UNLESS NOTED OTHERWISE.
 - DO NOT SCALE FROM THIS DRAWING.
 - THE DRAWING TO BE READ IN CONJUNCTION WITH THE SPECIFICATIONS FOR HIGHWAY WORKS, CONTRACT-SPECIFIC APPENDICES, DRAWINGS NYKGGD-WSP-SMN-ALL-DR-CB-0001, AND NYKGGD-WSP-SMN-ALL-DR-CB-0002, AND THE DRAWINGS LISTED IN THE SCHEDULE ON DRAWING NYKGGD-WSP-SMN-ST012-DR-CB-0001.
 - THE CONTRACTOR SHALL MEASURE AND CONFIRM ALL DIMENSIONS/LEVELS THAT HAVE A DIRECT IMPACT ON THE WORKS PRIOR TO EXECUTION. IN CASE OF DOUBTS, OMISSIONS, OR ERRORS, THE CONTRACTOR NEEDS TO SEEK CLARIFICATION FROM THE NEC PROJECT MANAGER.
 - FOR THE AFFECTED AREAS PRIOR TO WORKS, THE CONTRACTOR SHALL OBTAIN UP-TO-DATE UTILITY PLANS AND CARRY OUT SURVEYS TO POSITIVELY IDENTIFY AND MARK-UP ANY UTILITY APPARATUS. REFER TO APPENDIX 1/16 FOR FURTHER INFORMATION.
- CONTRACTOR DESIGNED ELEMENTS
- PRECAST ELEMENTS SHOWN ON THIS DRAWING ARE INDICATIVE. CULVERT WALL THICKNESS, WINGWALL DIMENSIONS, HEADWALL DIMENSIONS, AND SPLAY ANGLES ARE TO BE DETERMINED BY THE CONTRACTOR FOR THEIR DESIGN.
- STONE FACING AND STONE WALLS
- REFER TO DRAWING NYKGGD-WSP-SMN-ALL-DR-CB-0002 AND SPECIFICATION APP 24/1 FOR DETAILS.



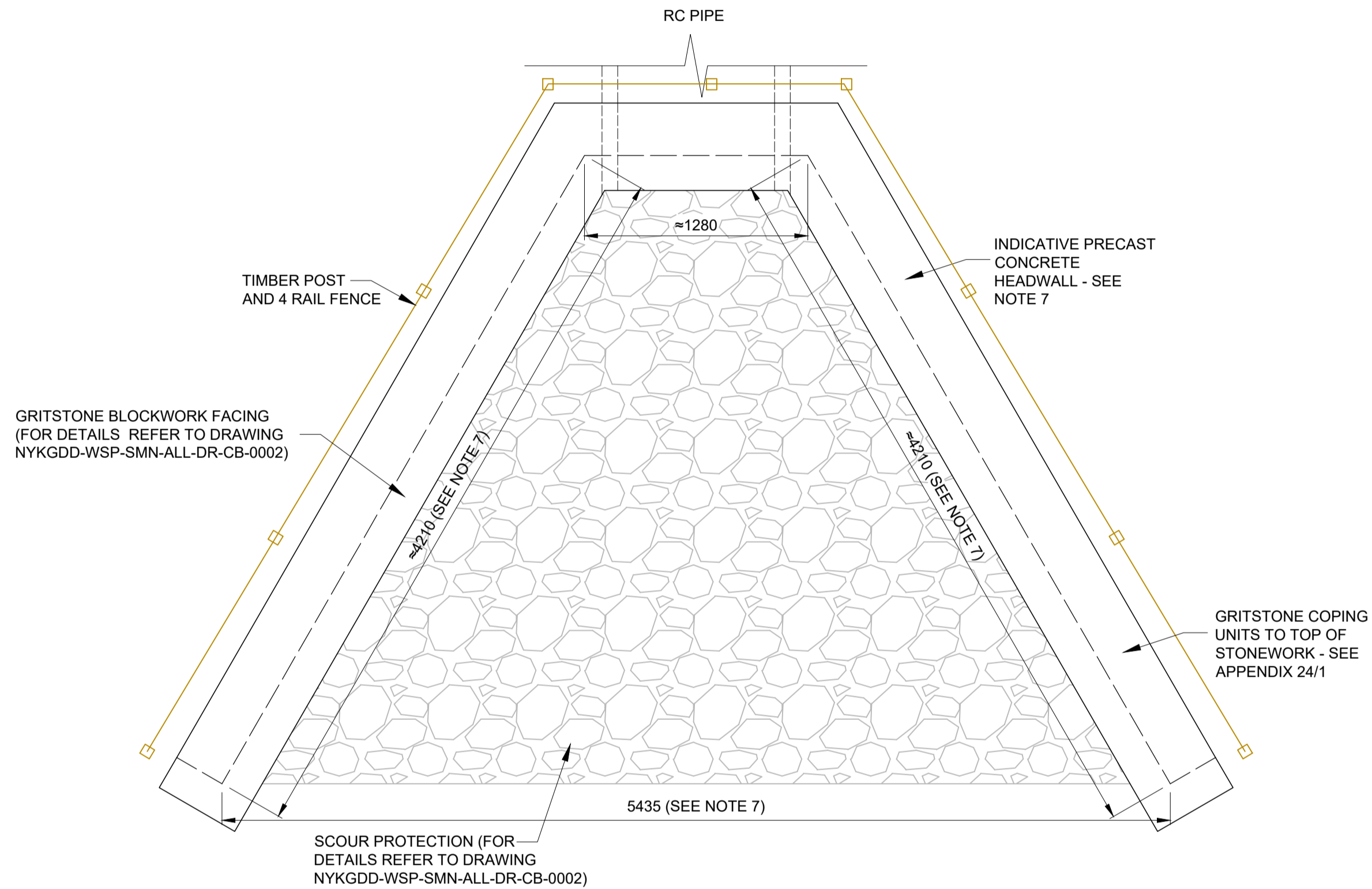
TYPICAL SECTIONAL ELEVATION ON DOWNSTREAM HEADWALL

SCALE 1:50



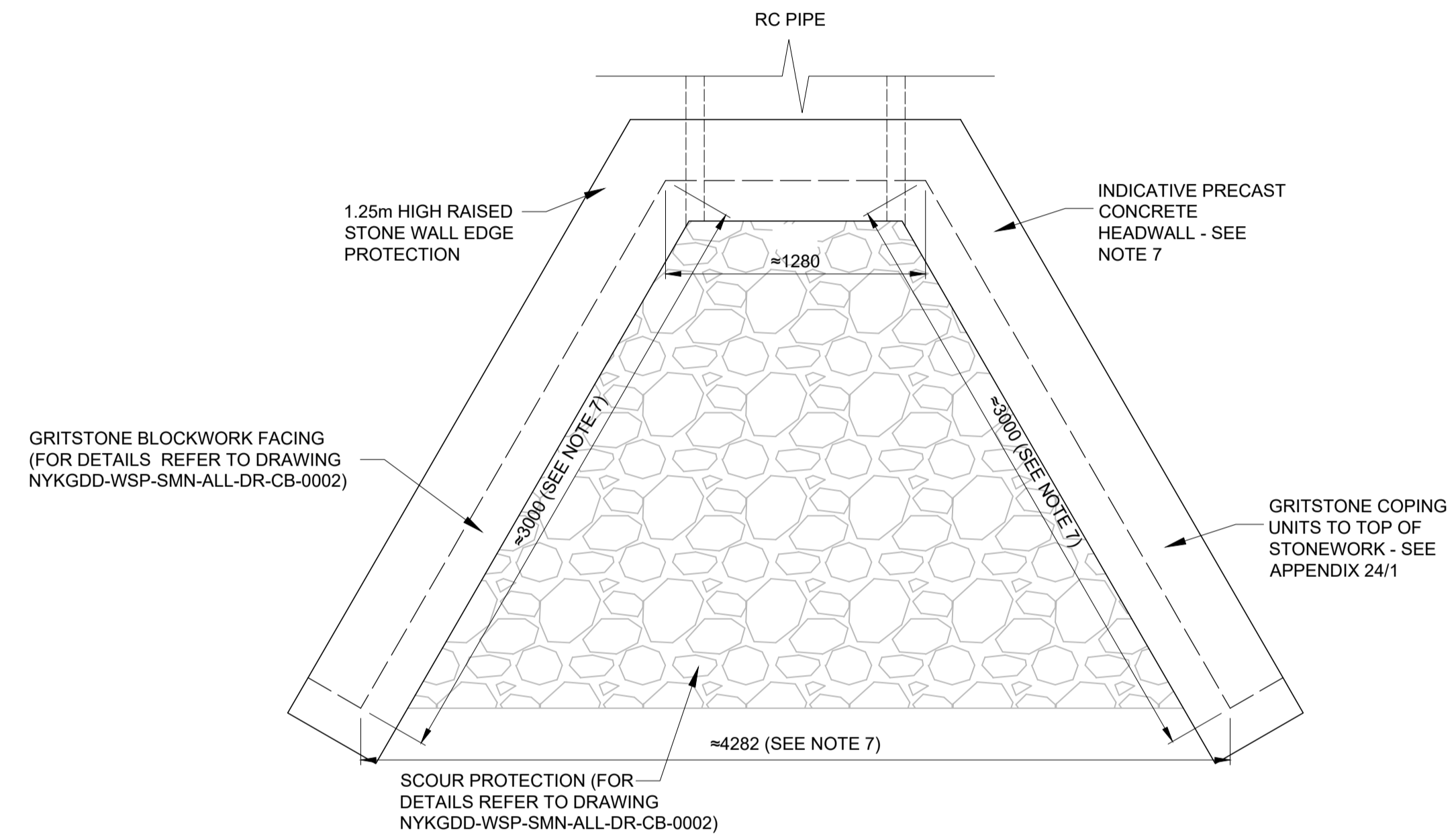
TYPICAL SECTIONAL ELEVATION ON UPSTREAM HEADWALL

SCALE 1:50



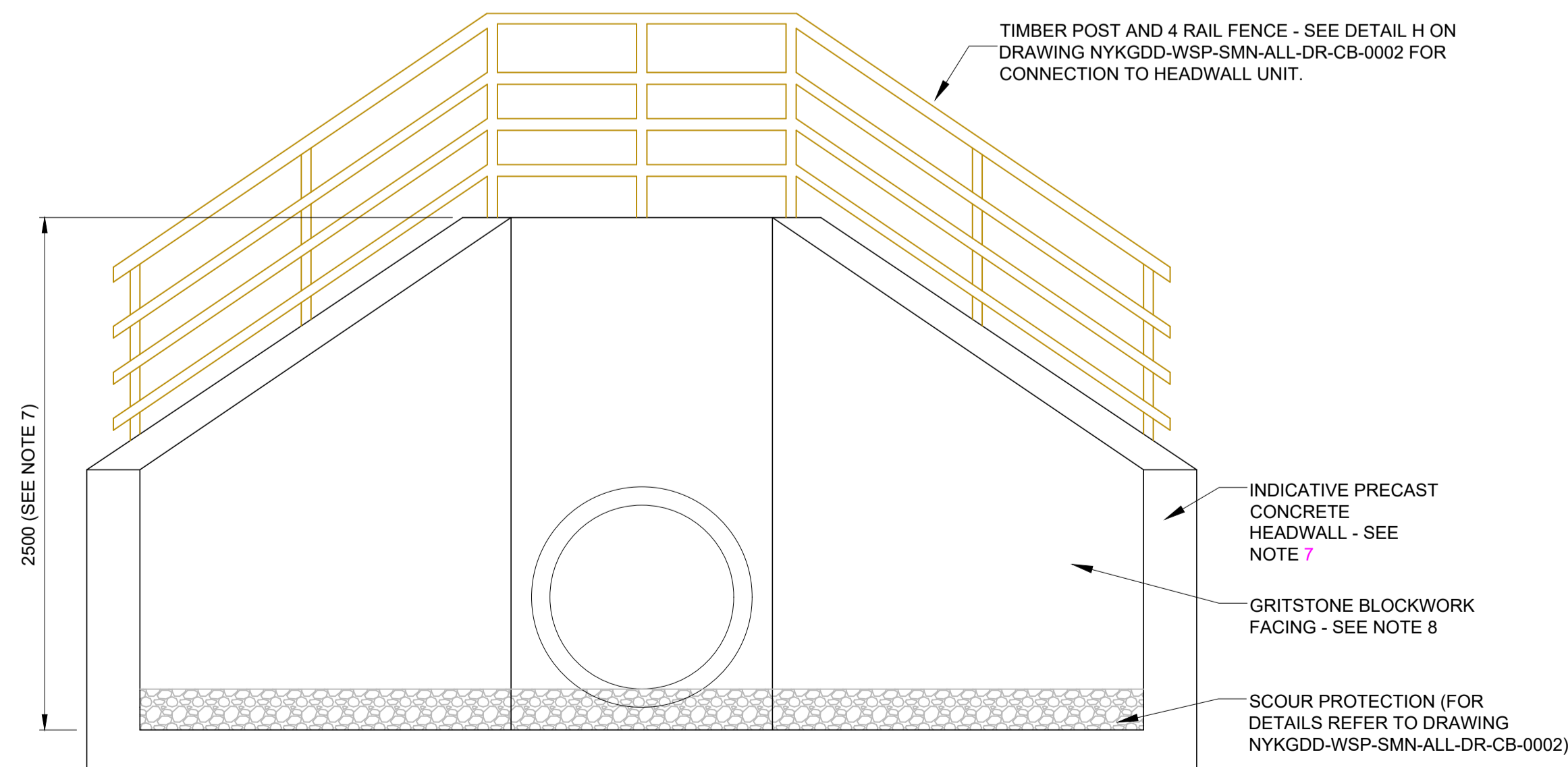
TYPICAL PLAN ON DOWNSTREAM HEADWALL

SCALE 1:25



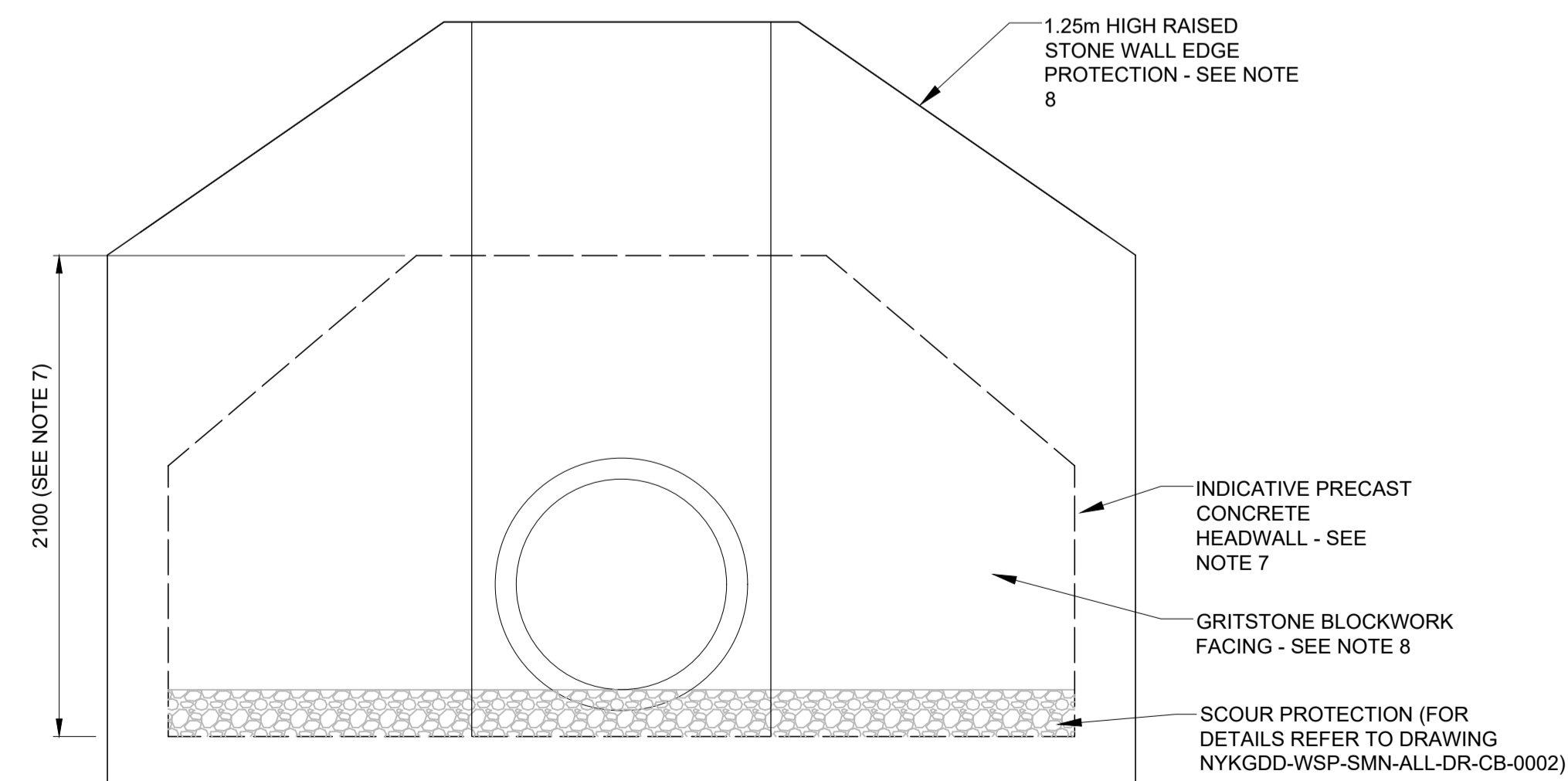
TYPICAL PLAN ON UPSTREAM HEADWALL

SCALE 1:25



ELEVATION B-B

SCALE 1:25



ELEVATION C-C

SCALE 1:25

CO1	21/07/2023	ISSUED FOR CONSTRUCTION	SH	DM	DM
Rev.	Date	Description	By	Chk'd	App'd

wsp

Three White Rose Office Park, Millshaw Park Lane, Leeds, LS11 0DL, UK
T+44 (0) 113 395 6200, F+44 (0) 113 395 6201
wsp.com

Client

North Yorkshire County Council

Project Title: **A59 KEX GILL DIVERSION**

Drawing Title: **A59 KEXGILL CULVERT (ST012) GENERAL ARRANGEMENT SHEET 2 OF 2**

Scale	AS SHOWN	Drawn	LS	Checked	IM	Approved	HM	Authorised	HM
Original Size	A1	Date	05/05/20	Date	05/05/20	Date	05/05/20	Date	05/05/20

Drawing Status: **FOR CONSTRUCTION ISSUE**

Suitability: **A1**

Drawing Number	Project	Originator	Volume	Project Ref. No.
NYKGGD	ST012	WSP	SMN	
Location	Type	Role	Number	Revision
	DR	CB	0002	C01

DO NOT SCALE

