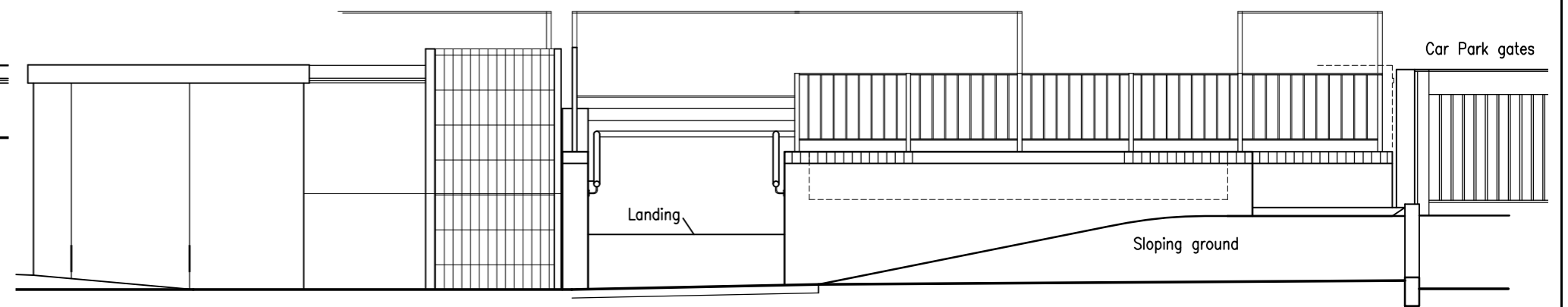
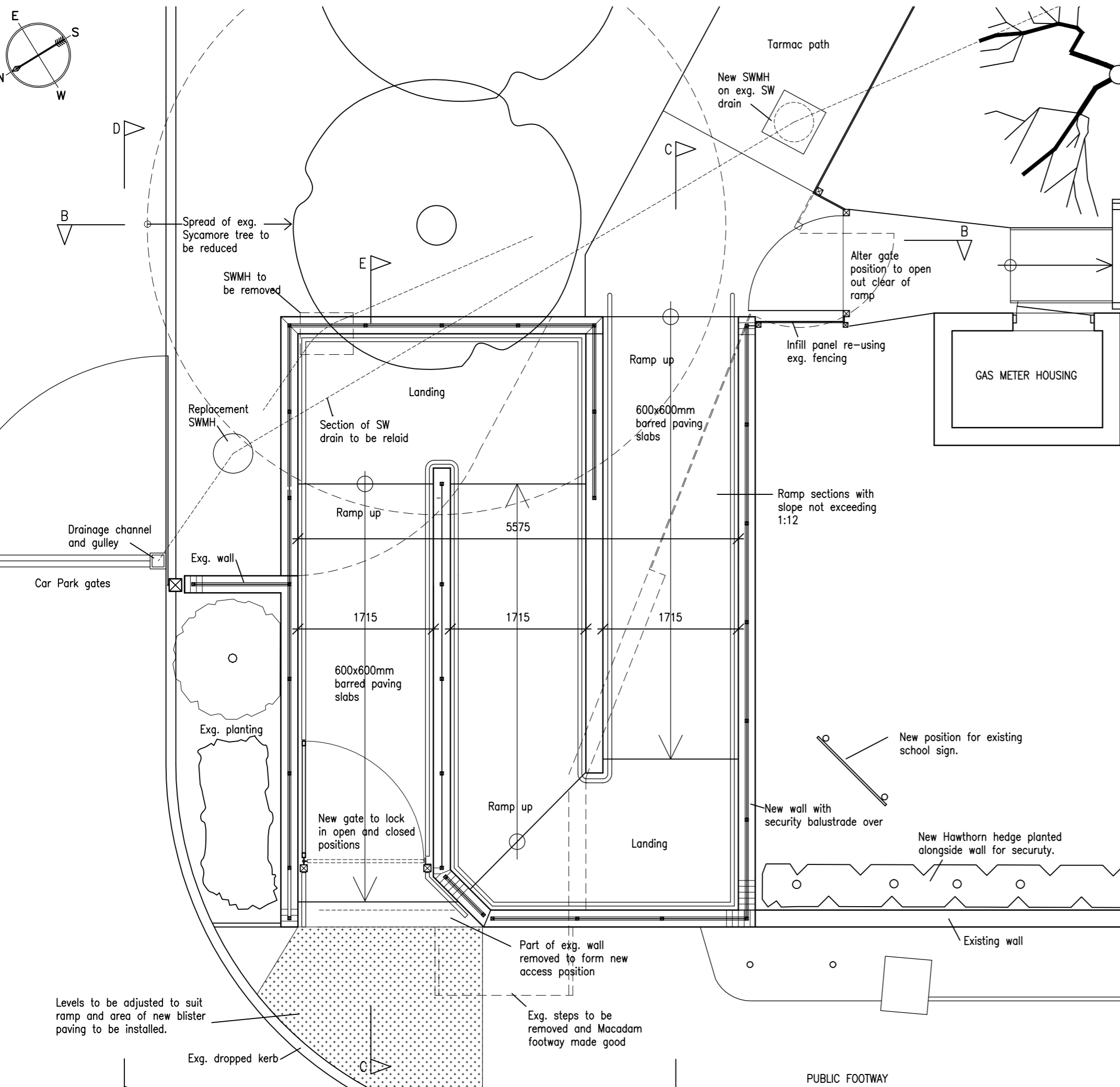


PROPOSED NORTH-WEST ELEVATION TO THE MASHAM ROAD

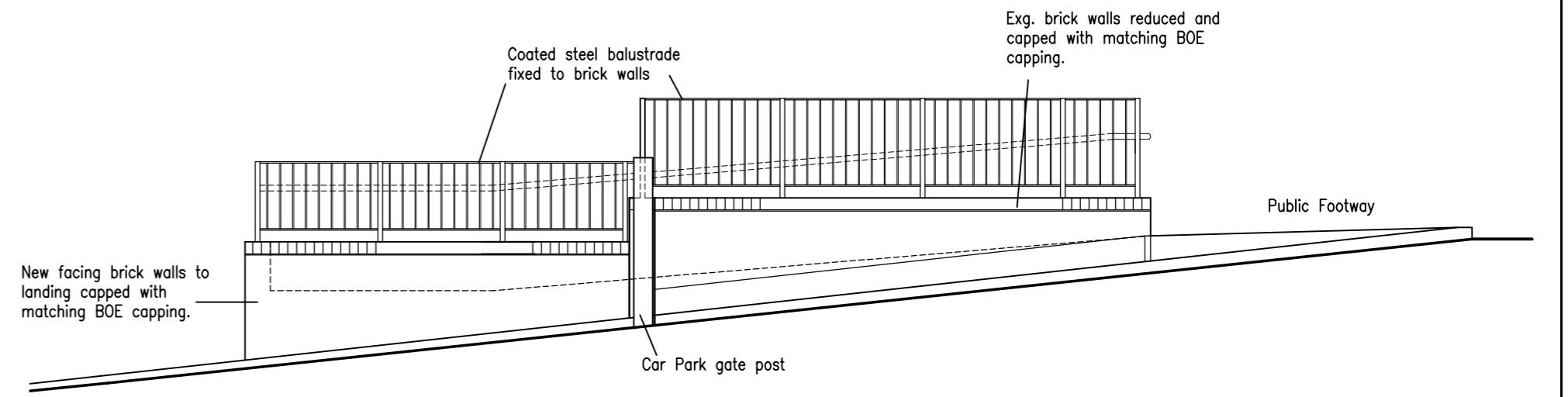
NOTES:
 Steel balustrading and new gate will be in steel coated on Green colour to match existing security fence and gates colour.
 New handrails will be in 45mm diameter steel section coated in Yellow colour.
 New brickwork will be in facing bricks to match exg. walls



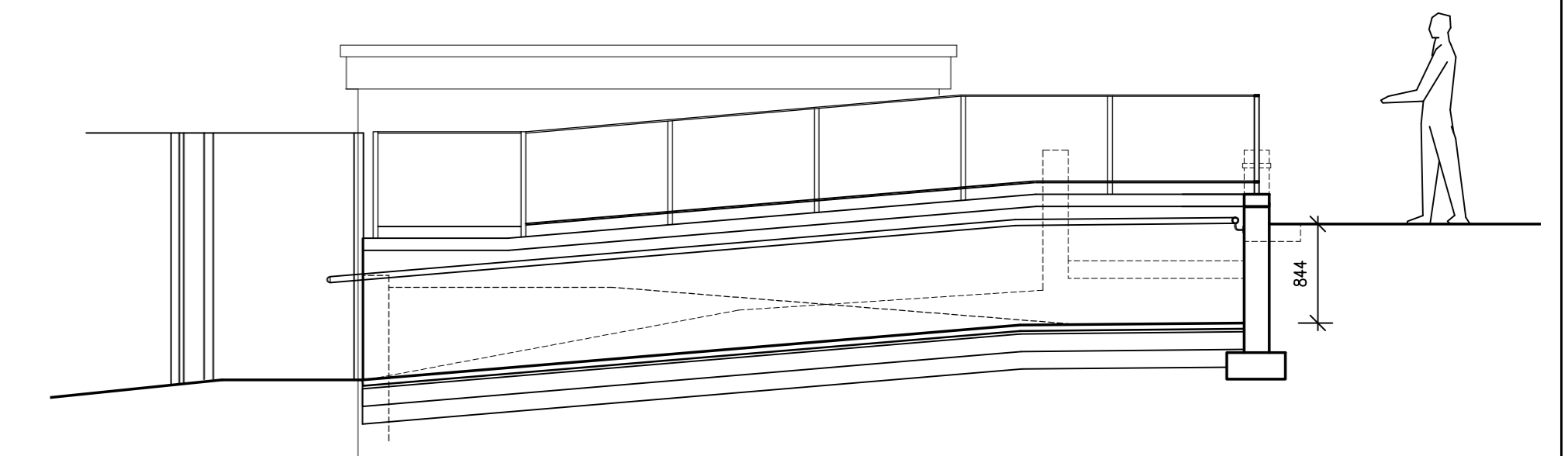
ELEVATIONAL SECTION B-B



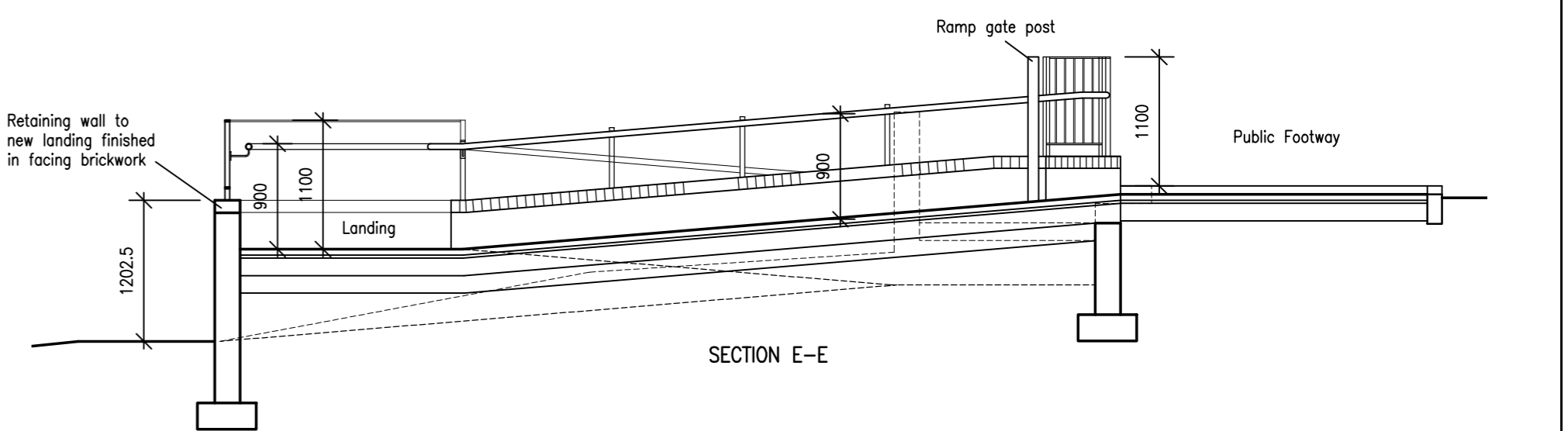
1:50 PROPOSED PLAN



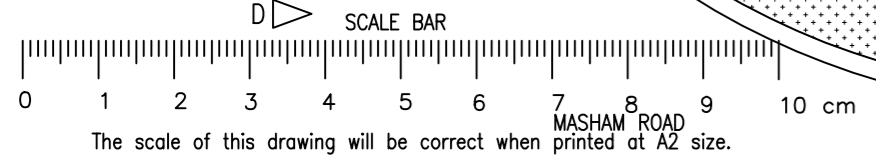
ELEVATIONAL SECTION D-D



SECTION C-C



SECTION E-E



R.R.O'Brien BSc.,Dip.Arch.,Dip.TP.,R.I.B.A.
 25 Harewood Lane, Romanby, Northallerton,
 North Yorkshire, DL7 8BQ.
 Tel: 01609 770077 Email: robarchitect@btinternet.com

Project Title
**MOWBRAY SCHOOL, MASHAM ROAD, BEDALE. DL8 2SD.
 PROPOSED MAIN ENTRANCE RAMP.**

Drawing Title
**PROPOSED PLAN, ELEVATIONS
 AND SECTIONS**

REV.	DATE	DETAILS
Scale	1:50	Drawn By R.O'B. Date February 2024
Drawing Size	A2	Drawing No. 122/903
		Revision